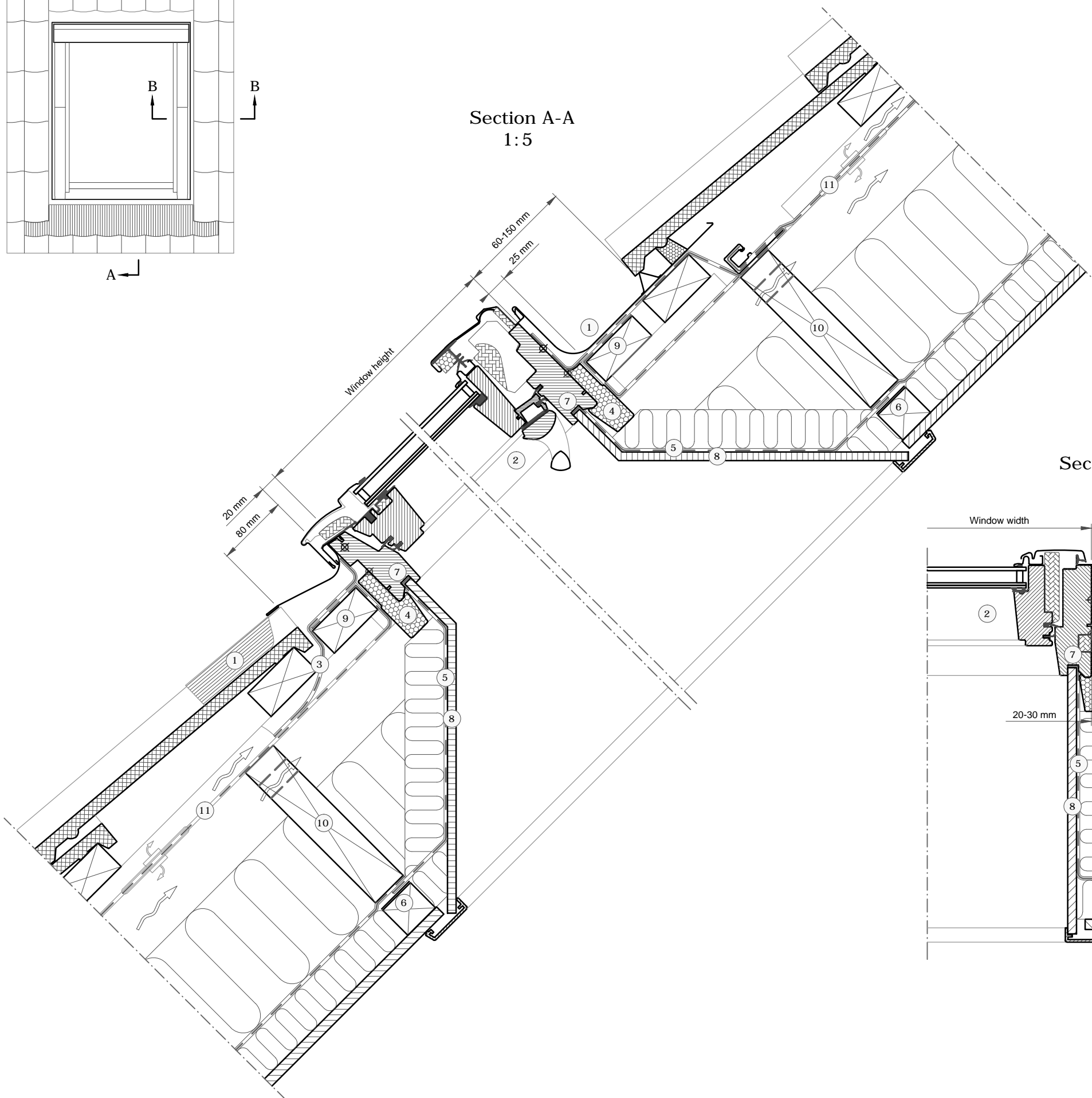
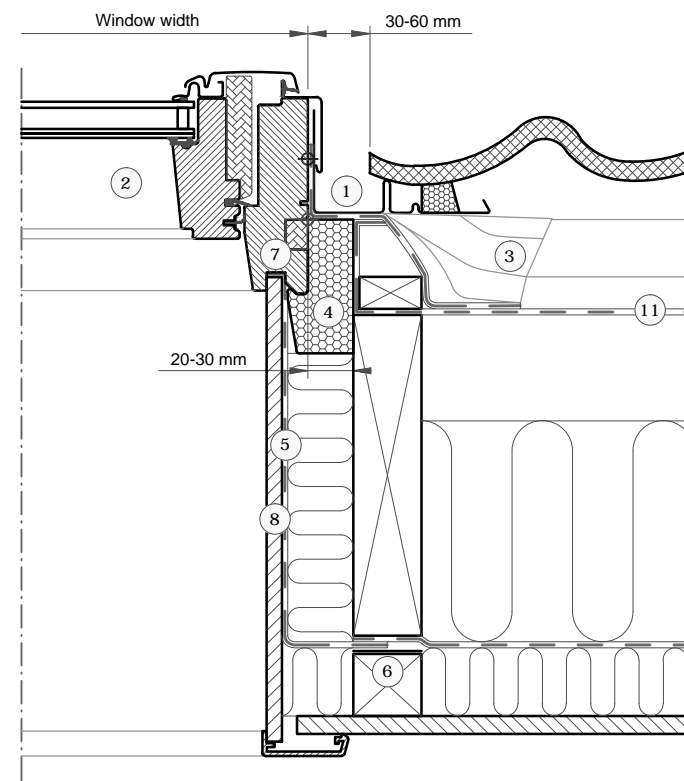


Section A-A
1:5



Section B-B
1:5



- ① VELUX flashing (EDZ 20°-90°)
- ② VELUX window (GGL 15°-90°)
- ③ VELUX underfelt collar (BFX)
- ④ VELUX insulation frame (BDX)
- ⑤ VELUX vapour barrier (BBX)
- ⑥ VELUX vapour barrier tape (BBX)
- ⑦ Gasket on BBX in window rebate
- ⑧ VELUX Lining (LS-)
- ⑨ Installation batten (Non VELUX)
- ⑩ Trimmer where necessary (Non VELUX)
- ⑪ Felt/breather membrane (Non VELUX)

Roof covering:

Tiles
Max 45 mm



VELUX Products:

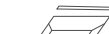
GGL
15°-90°



EDZ
20°-90°



BFX



BDX



BBX



LS-



VELUX window sizes:

Size	Width (mm)	Size	Height (mm)
BK--	472	-K02	778
CK--	550	-K04	978
FK--	660	-K06	1178
MK--	780	-K08	1398
PK--	942	-K10	1600
SK--	1140	-K12	1800
UK--	1340		

© VELUX GROUP ® VELUX, VELUX logo are registered trademarks

VELUX

File name: EDZ-GGL-VAS-105-1112

Drawing no.:---

SCo: ---

Create date:
26.11.2012

Rev. date:
10.06.2015

Format:
A3

Scale:
1:5

Note: When installing VELUX Roof Windows, flashings and installation products, the manufacturers instructions and current building and fire regulations, where applicable, must be met.