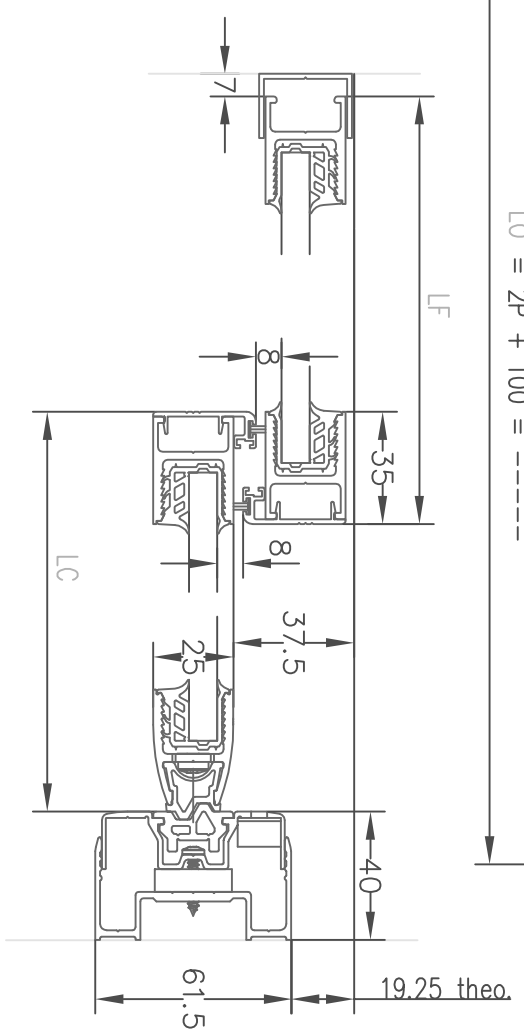


$HC =$ $LC =$	$HP + 10 =$ $P + 35 =$	C1
$HF =$ $LF =$	$HP + 10 =$ $P + \text{-----} =$	F1



KLING
www.kling.hu

DIVA

DATE: 8/02/96

C S G25 + F

PORTALP



PF 1101 / Incl: E