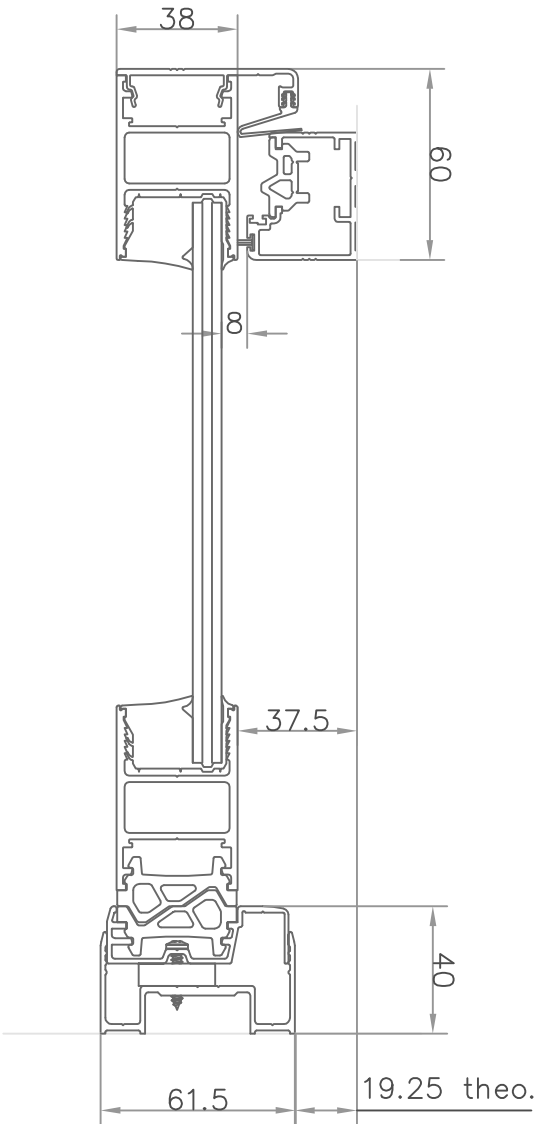
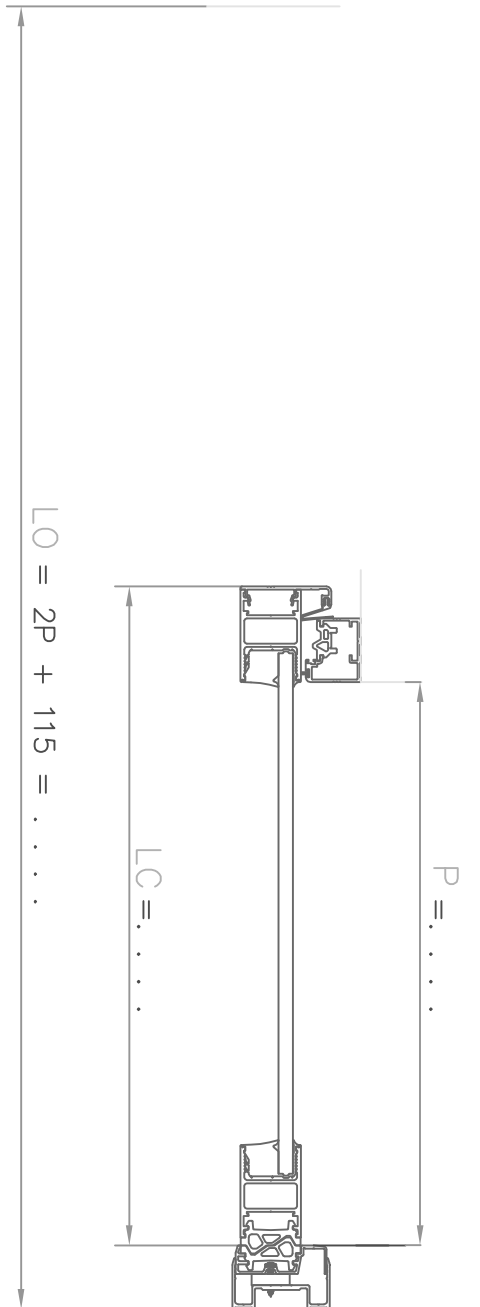


HC = HP + 10 =
 LC = P + 60 =

C1/G38



KLING
 www.kling.hu

DIVA

DATE: 11/10/99

C S G38 R60

PORTALP



PE 2767 / Ind:D