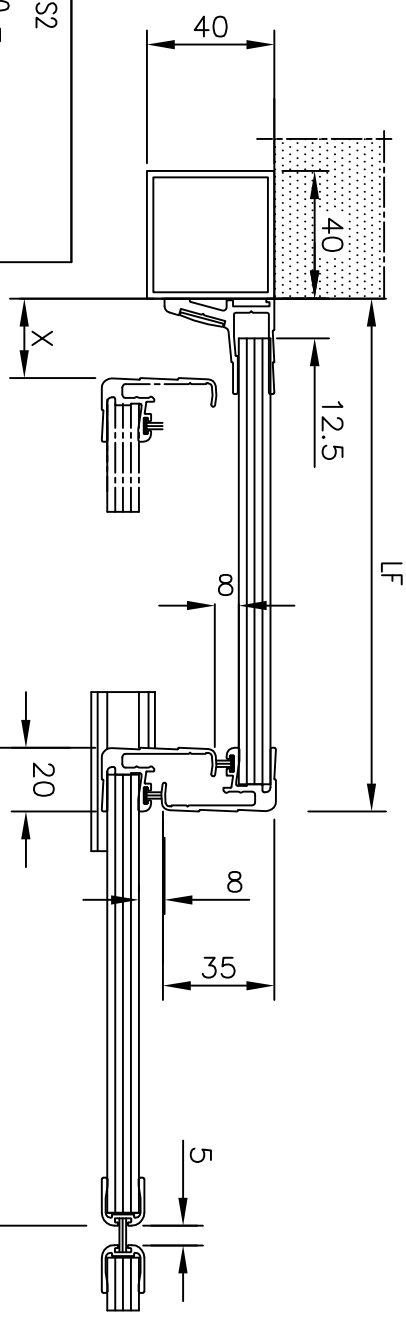


CS2	HC =	HP + 10 =	.....
CS2	LC =	1/2 P + 17.5 =	.....
GS2	hv. =	HC - 3 =	.....
FS1	lv. =	LC - 12 =	.....
FS1	HF =	HP =	.....
GSF	LF =	1/2 P +	.....
GSF	hv. =	HF - 25 =	.....
GSF	lv. =	LF - 21 =	.....



DIVA	
DATE: 26/01/98	
C D S10mm R20 + F	PE 3233 / Ind: A