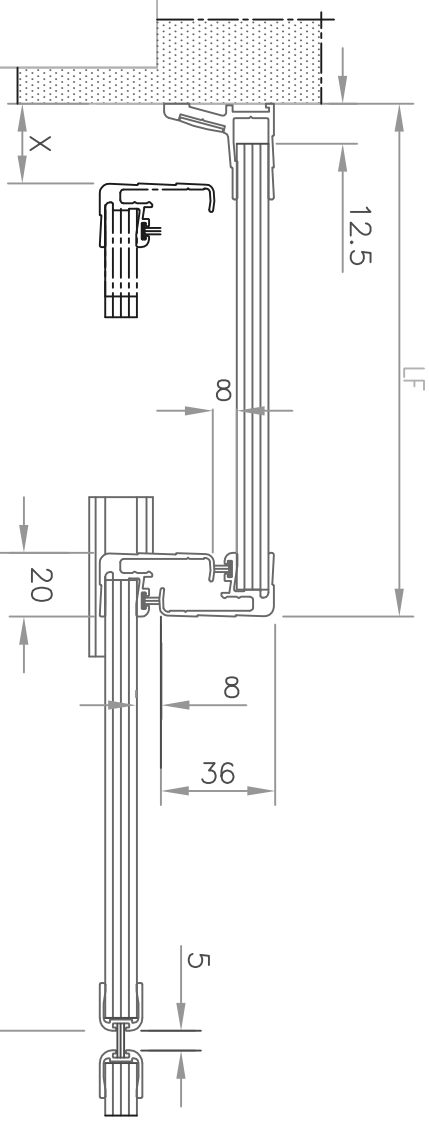


$HF =$ $HP =$ $LC = 1/2 P + 17.5 =$ $iv. =$	$FS1$ $HF =$ $HP =$ $LC = 1/2 P + 17.5 =$ $iv. =$	$GS2$ $HC =$ $HP + 10 =$ $LC = 1/2 P + 17.5 =$ $iv. =$	$GS2$ $HC - 3 =$ $LC - 12 =$ $iv. =$
--	---	--	---



**DIVA**  
 DATE: 26/01/98  
 C D S10mm R20 + F  
**PORTALP**  
 PE 3235 / Ind: A