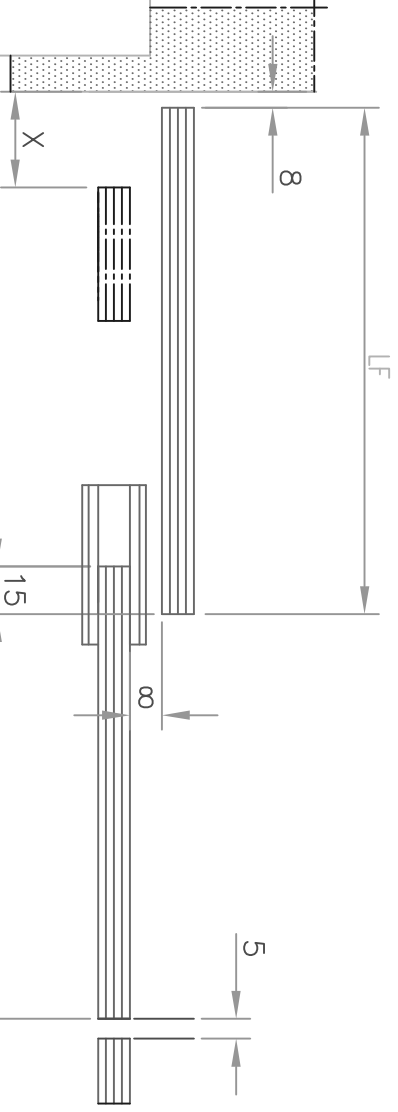


HC =	HP + 10 =	FS2
LC =	1/2 P + 12.5 =	
hv. =	HC - 3 =	GS2
lv. =	LC =	
HF =	HP =	FS2
LF =	1/2 P +	
		GSF
hv. =	HF - 25 =	
lv. =	LF =	



**KLING**  
www.kling.hu

DIVA

DATE: 28/02/02

G D S10mm R15 + F

**PORTALP**



PE 3515 / Ind.