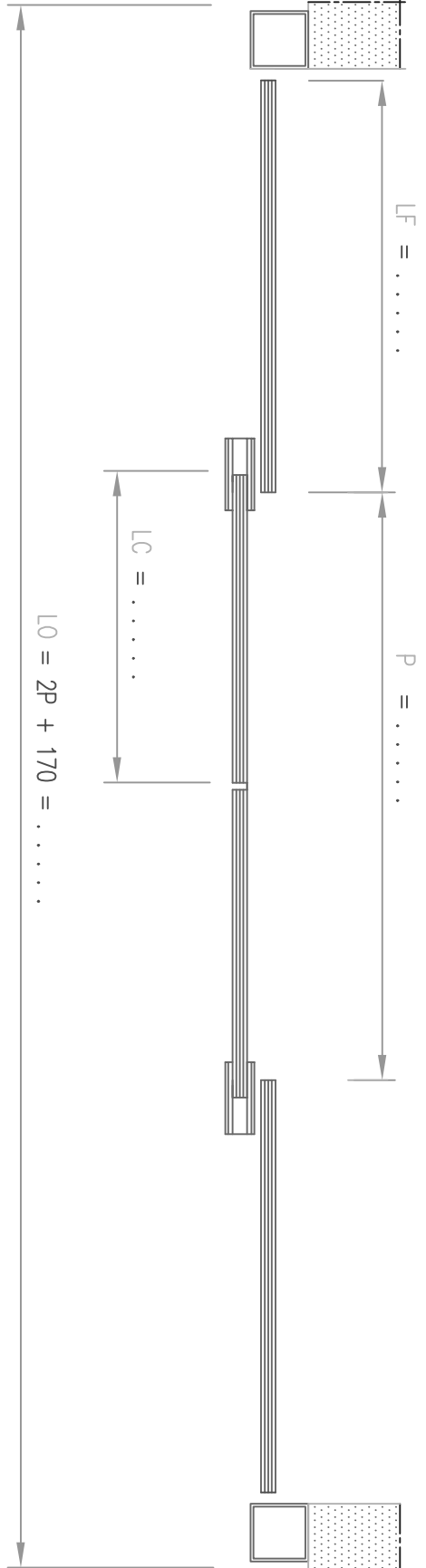
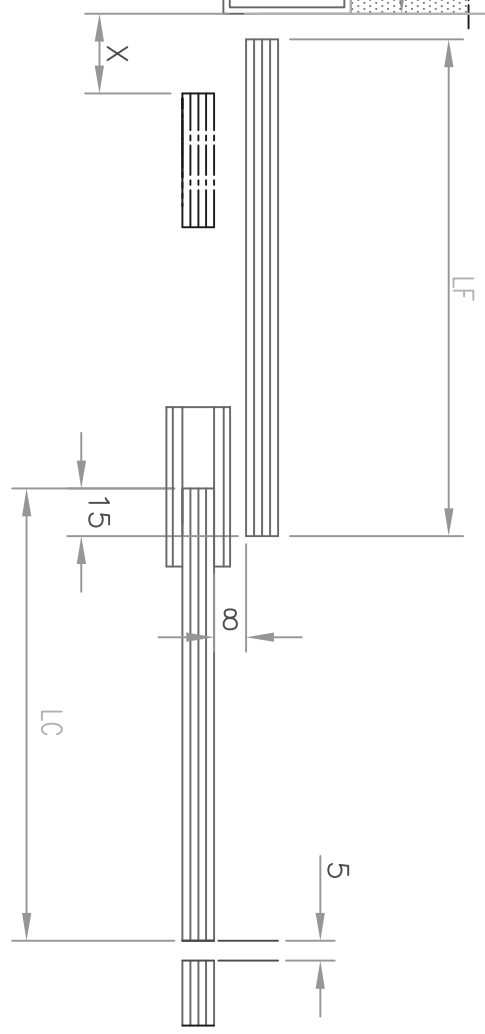
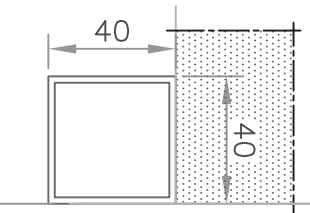


HC =	HP + 10 =
LC =	1/2 P + 12.5 =
GS2	
hv. =	HC - 3 =
lv. =	LC =
FS2	
HF =	HP =
LF =	1/2 P +
GSF	
hv. =	HF - 25 =
lv. =	LF =



KLING
www.kling.hu

DIVA

DATE: 28/02/02

G D S10mm R15 + F

PORTALP

PE 3516 / Ind.