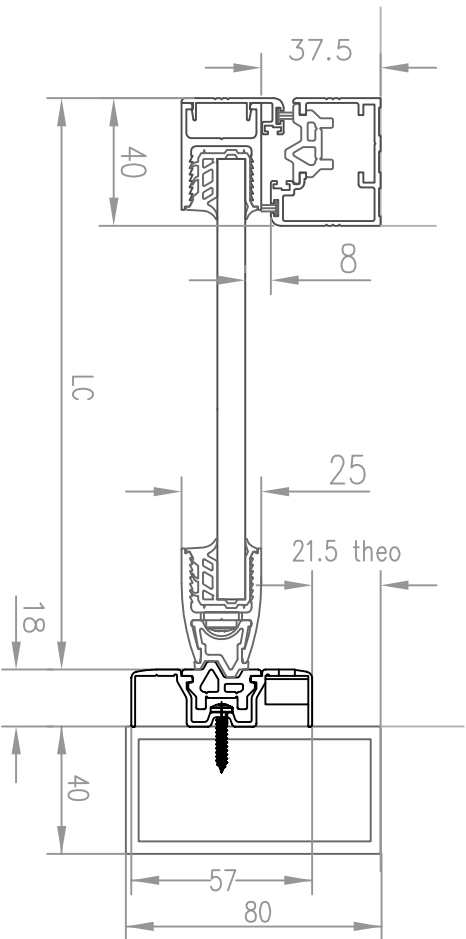
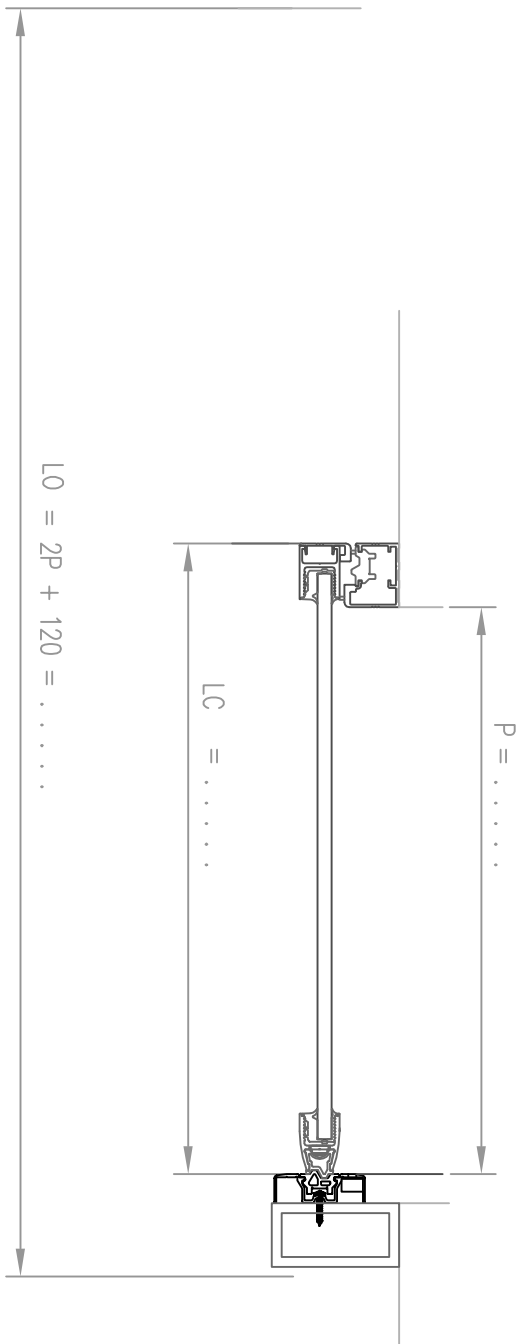


C1

HC = HP + 3 =

LC = P + 40 =



KLING

www.kling.hu

DIVA L

DATE: 26/01/98

C S G25 R40

PORTALP



PE 1995 / Ind: E