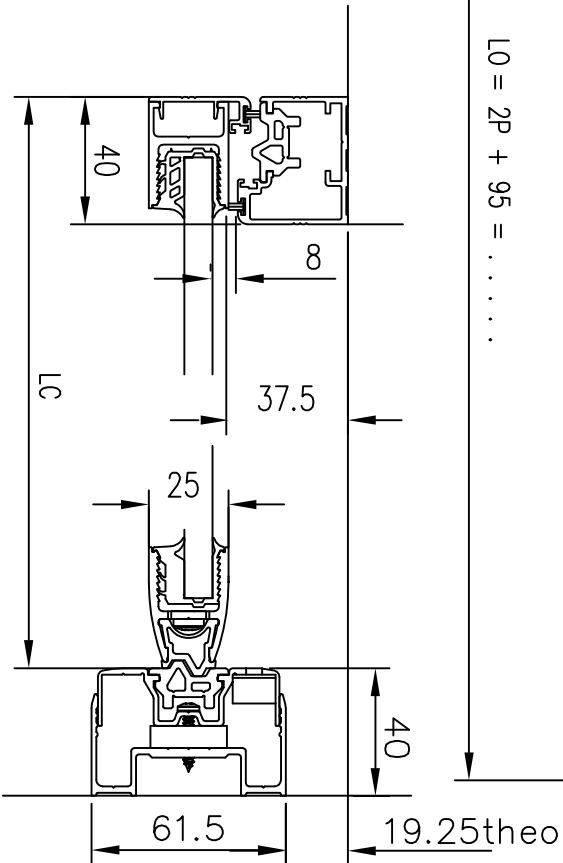
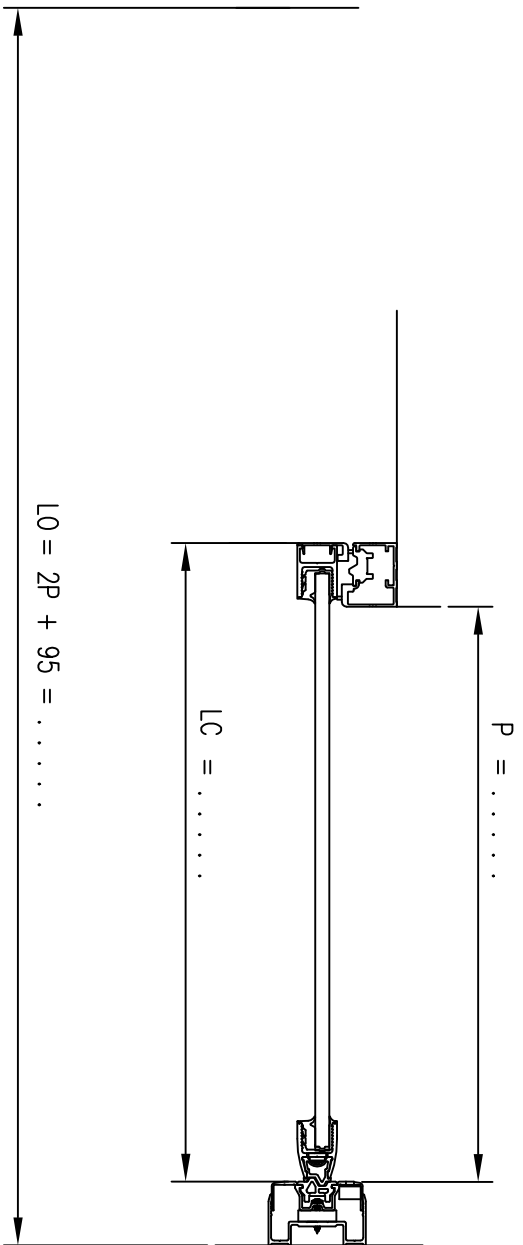


C1

HC = HP + 3 = . . . . .

LC = P + 40 = . . . . .



DIVA L	
DATE: 26/01/1998	
C S G25 R40	PF 1986 / Ind: D