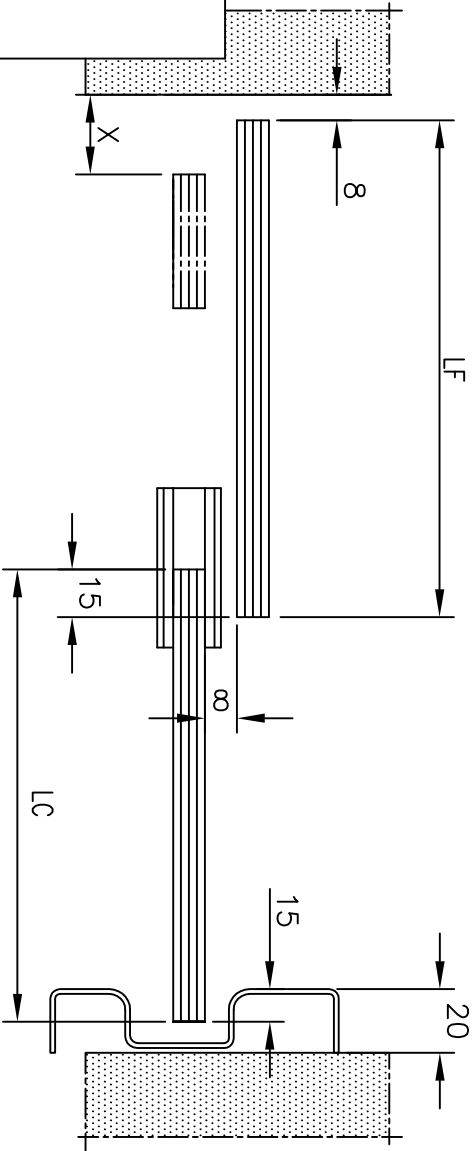


HC =	HP + 3 = .....
LC =	P + 30 = .....
hv. =	HC - 3 = .....
lv. =	LC = .....
GS1	
FS2	
HF =	HP = .....
LF =	P + .....
GSF	
hv. =	HF - 25 = .....
lv. =	LF = .....



DIVA L

DATE: 26/02/02

G S S10mm R15 + F

PF 3514 / Ind. A

**PORTALP**

