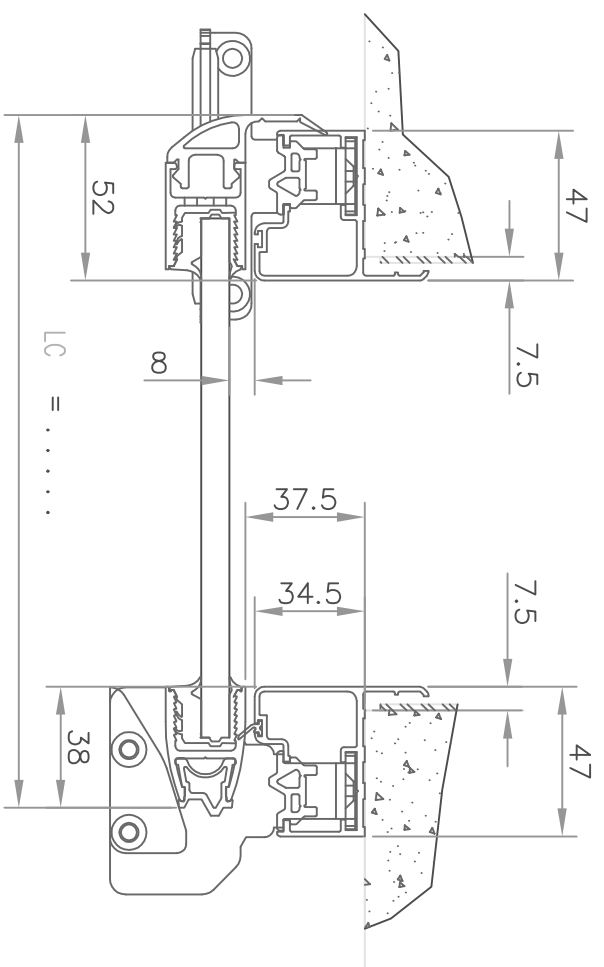
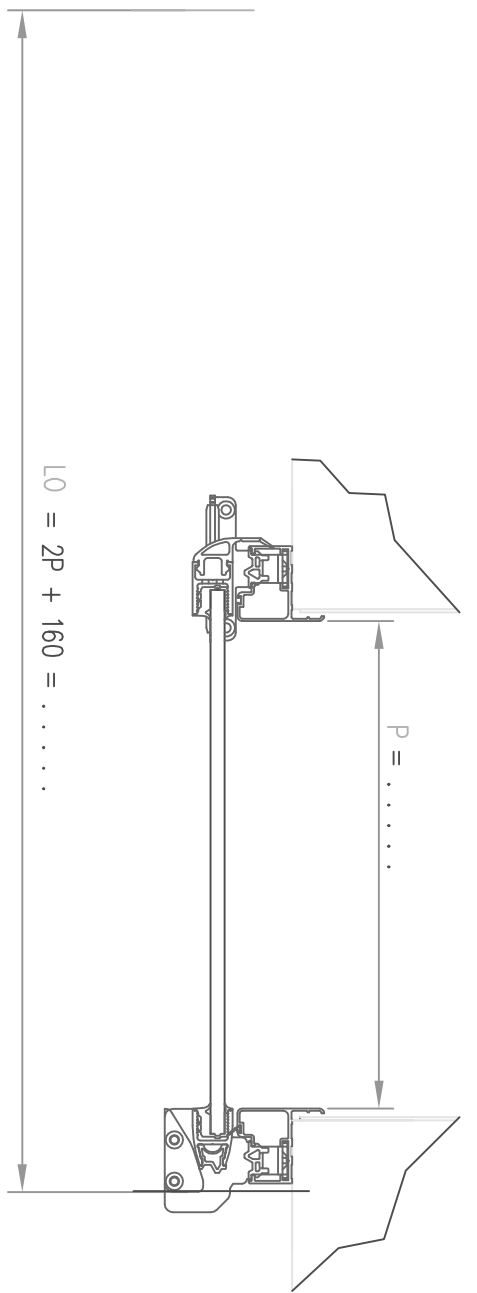


Coulissant hospitalier

HC = HP + 3 =

LC = P + 90 =



KLING
www.kling.hu

DIVA L HOSPITALIER

DATE: 22/03/07

C S G25 R56

PORTALP

PF 00931 / Ind: A