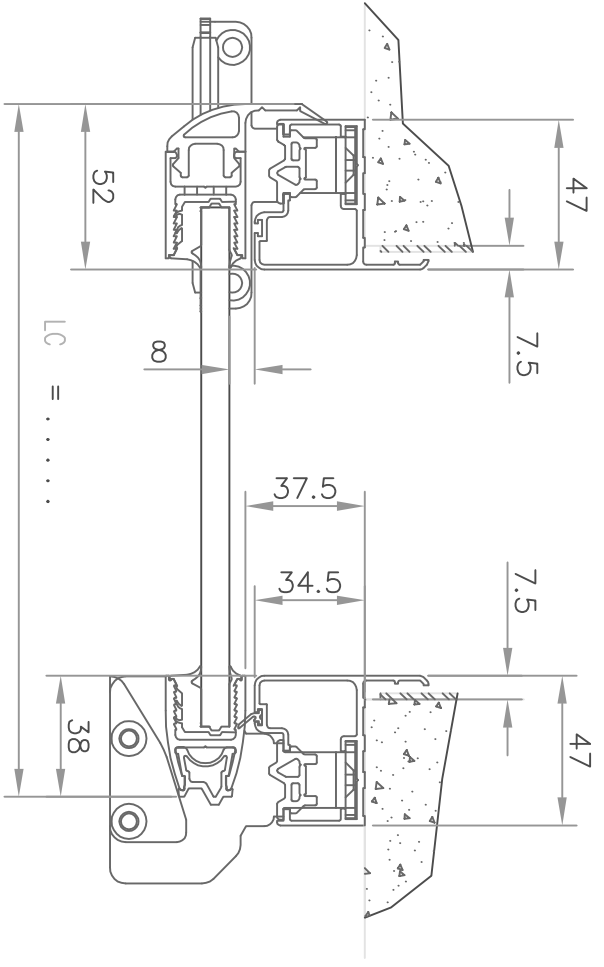
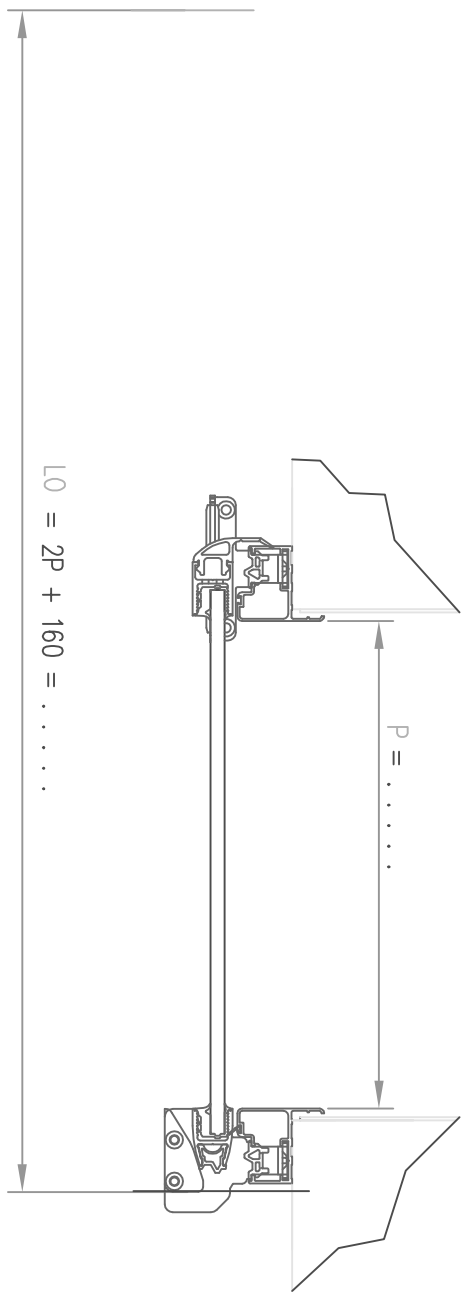


Coulissant hospitalier

HC = HP + 50 =
 LC = P + 90 =



KLING
www.kling.hu

DIVA L HOSPITALIER

DATE: 22/03/07

C S G25 R52 CADRE

PORTALP

PE 4622 / Ind.