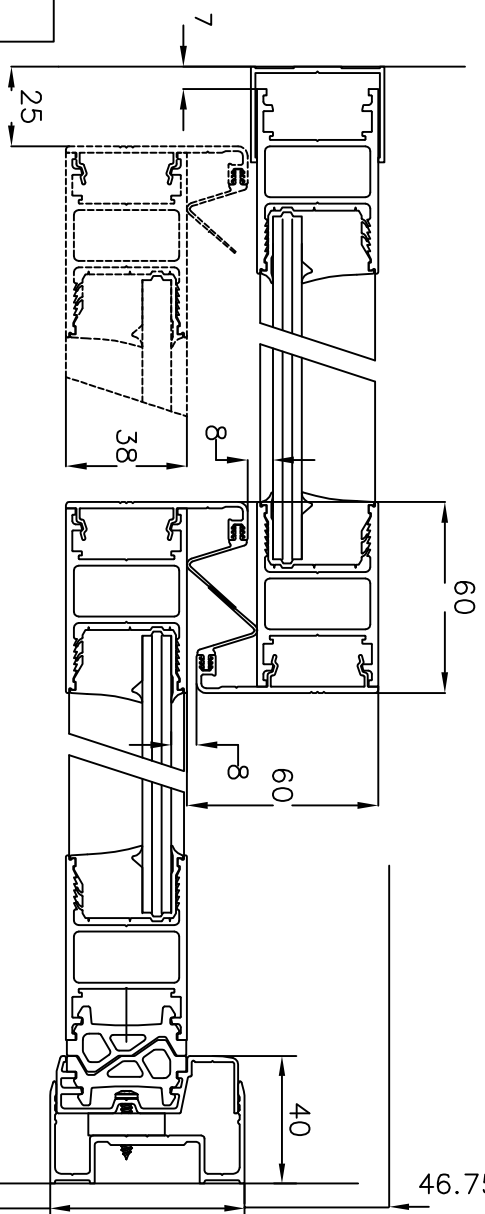


C1/G38	HC = HP + 3 = . . . . .
	LC = P + 60 = . . . . .
F1/G38	
	HF = HP + 3 = . . . . .
	LF = P + . . . . .



**KLING**  
www.kling.hu

DIVA L

DATE: 11/10/1999

C S G38 R60 + F

**PORTALP**

PE 2787 / Ind. C