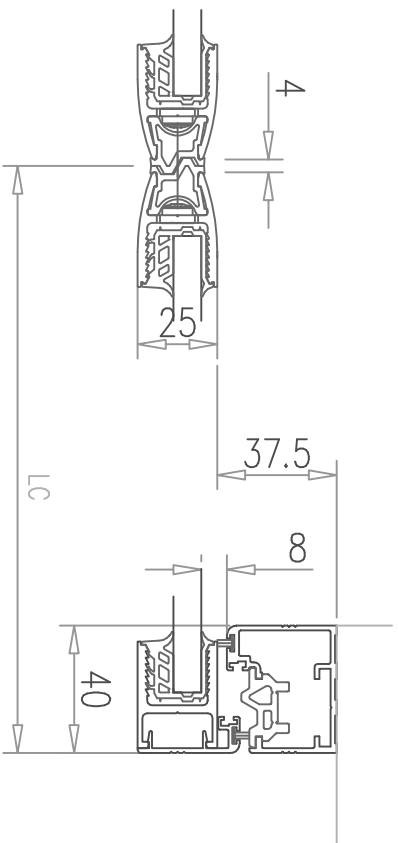
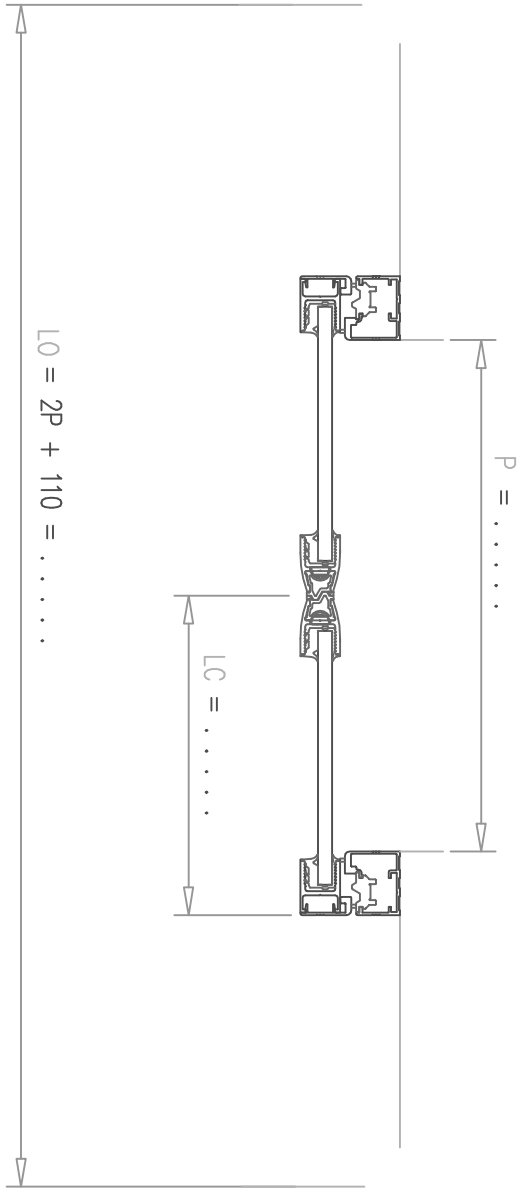


C1

HC = HP + 3 = . . . . .

LC = 1/2 P + 40 = . . . . .



DIVA L	
DATE: 26/01/98	
C D G25 R40	PE 1988 / Ind: C