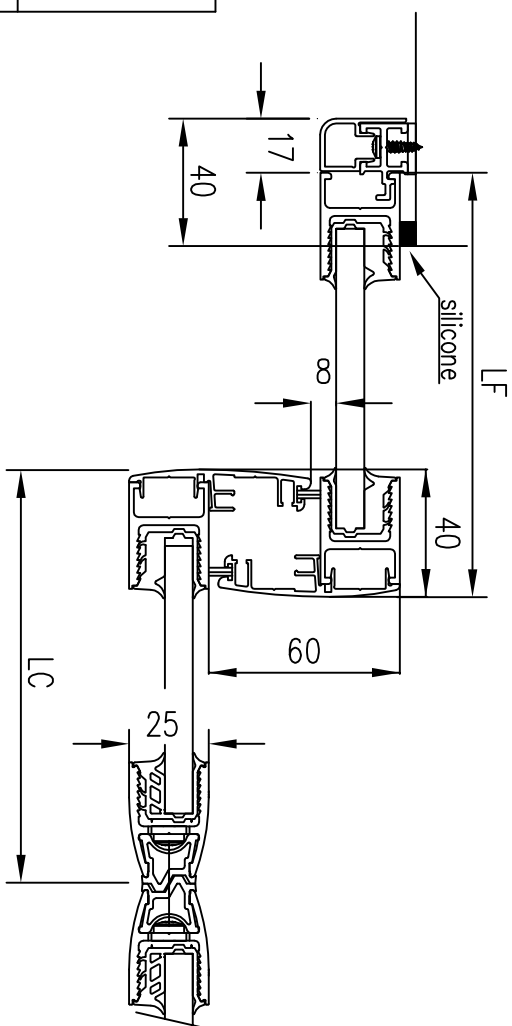
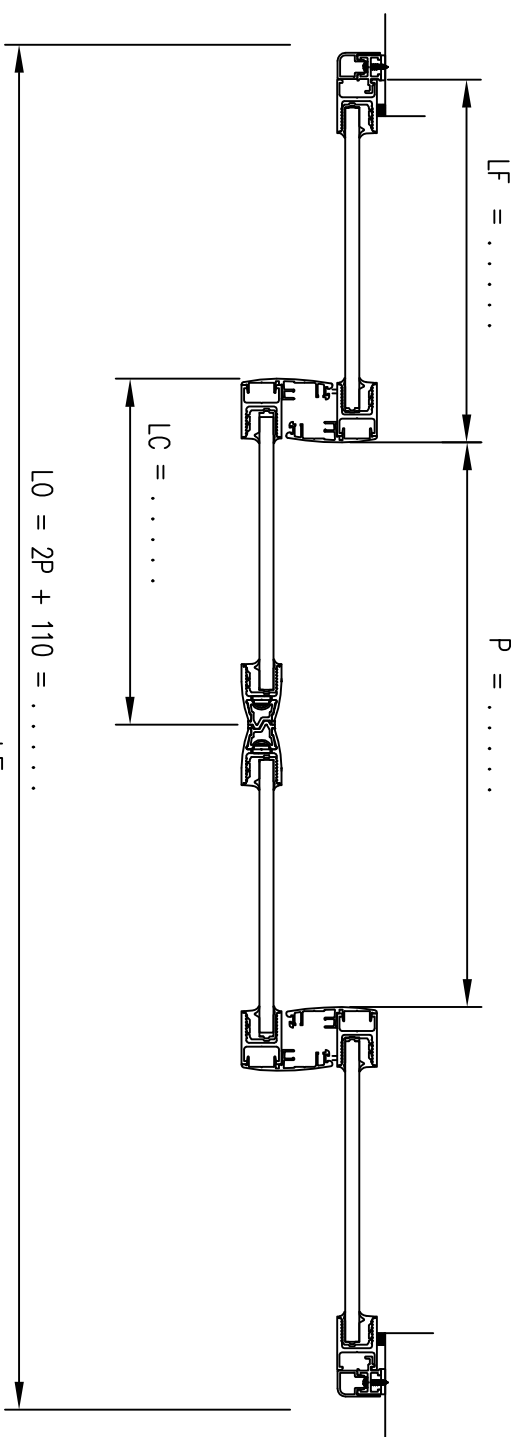


$HC = HP + 3 = \dots\dots\dots$ $LC = 1/2P + 40 = \dots\dots\dots$	CL1
$HF = HP + 3 = \dots\dots\dots$ $LF = 1/2P + \dots = \dots\dots\dots$	FL2



DIVA L

DATE: 26/01/98

C D G25 R40+F

PORTALP



PE 1989 / Ind: D