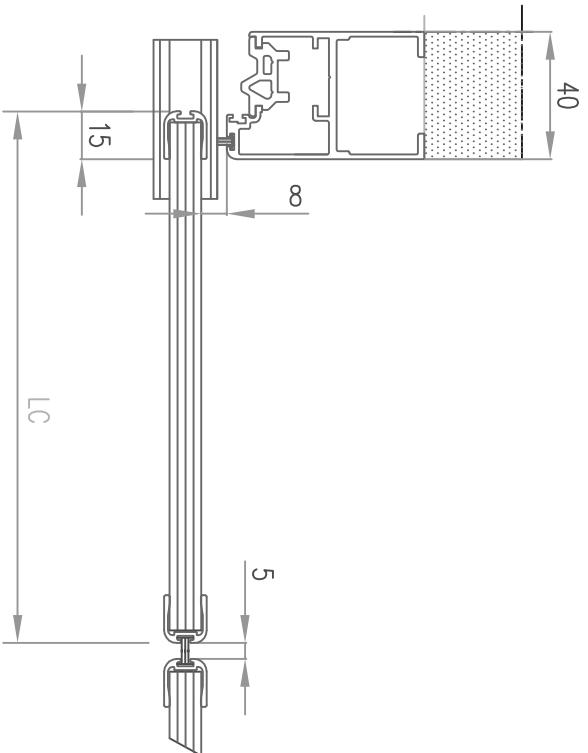


$HC = HP + 3 = \dots$  CS1  
 $LC = 1/2 P + 12.5 = \dots$   
 $h_v = HC - 3 = \dots$  GS2  
 $lv = LC - 7 = \dots$



**KLING**  
www.kling.hu

DIVA L

DATE: 26/01/98

C D S10mm R15

**PORTALP**

PF 3225 / Ind: A