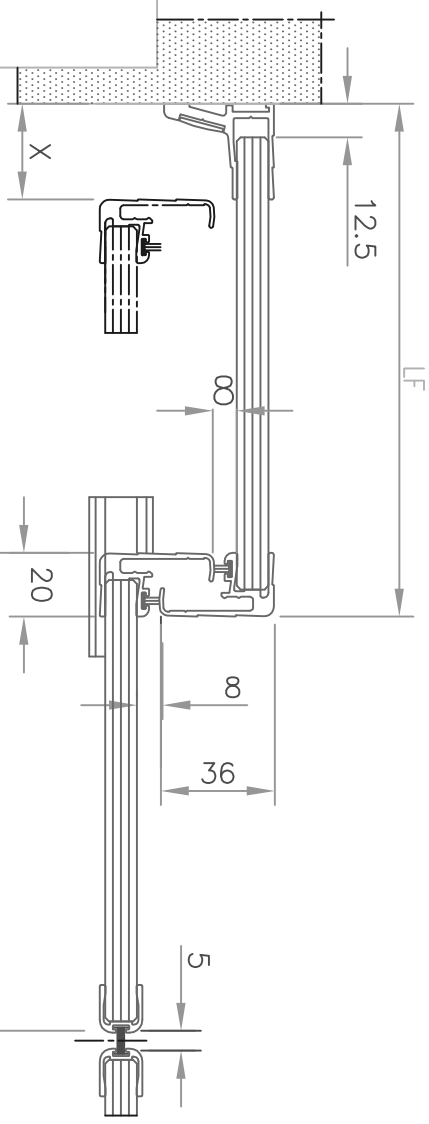


$HC = HP + 3 = \dots$ $LC = 1/2 P + 17.5 = \dots$ hv. = HC - 3 = \dots lv. = LC - 12 = \dots	GS2
$HF = HP = \dots$ $LF = 1/2 P + \dots$ hv. = HF - 25 = \dots lv. = LF - 21 = \dots	FS1 GSF



**KLING**  
www.kling.hu

DIVA L  
DATE: 26/01/98  
C D S10mm R20 + F

**PORTALP**  
PE 3226 / Ind: A