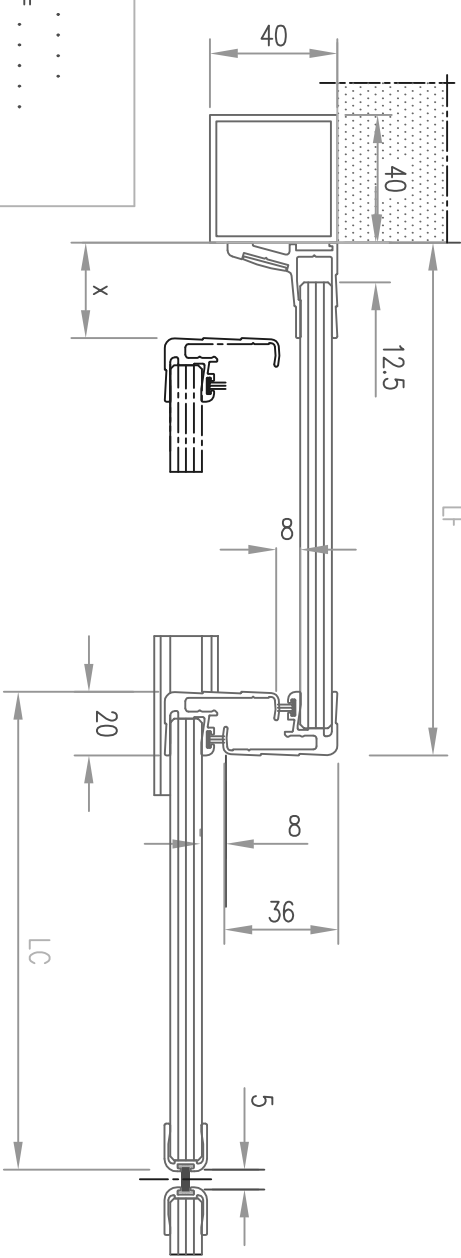


HC =	HP + 3 =	GS2
LC =	1/2 P + 17.5 =	GS2
hv. =	HC - 3 =	
lv. =	LC - 12 =	
		FS1
HF =	HP =	
LF =	1/2 P +	GSF
hv. =	HF - 25 =	
lv. =	LF - 21 =	



KLING
www.kling.hu

DIVA L

DATE: 15/03/2002

C D S10mm R20 + F

PE 3229 / Ind: B

PORTALP