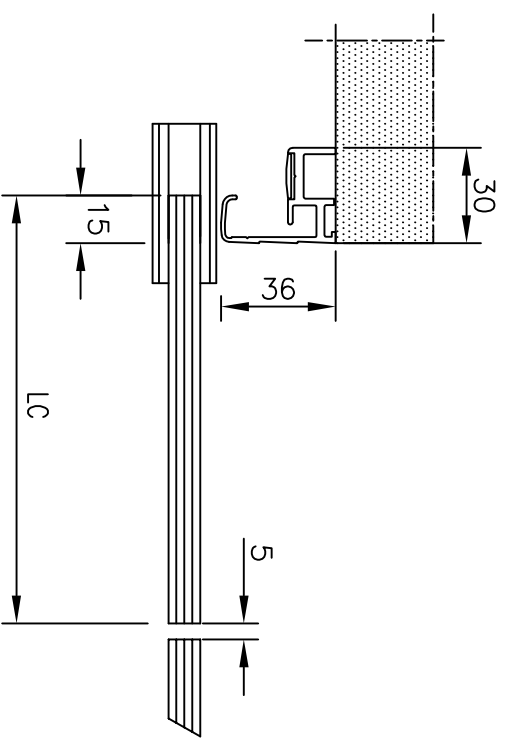
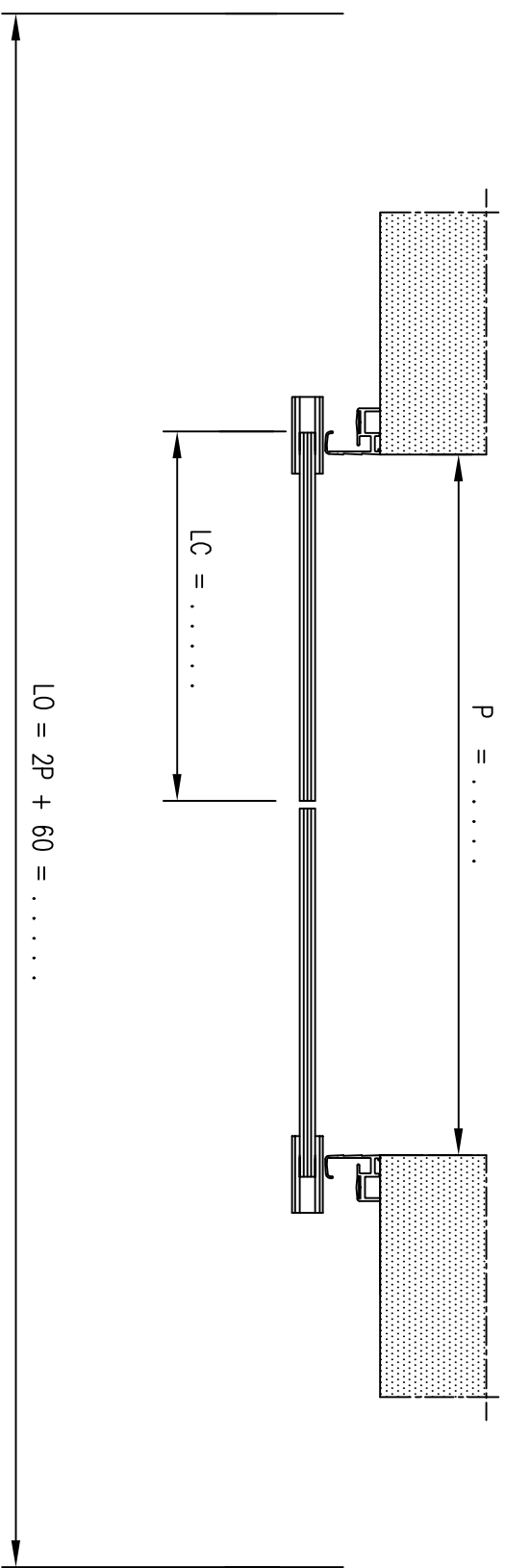


HC =	HP + 3 =
LC =	1/2P + 12.5 =
GS2		
hv =	HC - 3 =
lv =	LC =



DIVA L

DATE: 21/01/02

G D S10mm R15

PF 3475 / Ind.

